



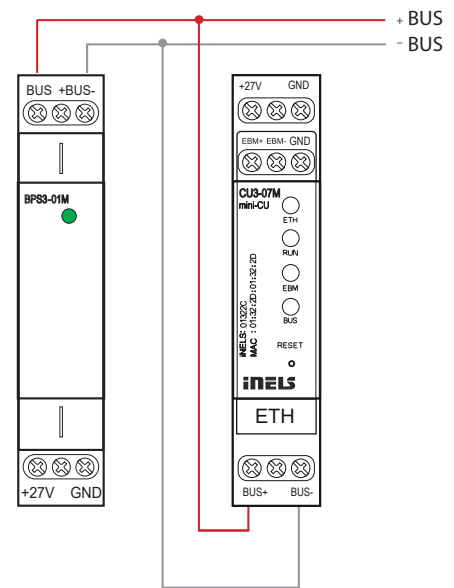
EAN code
 BPS3-01M: 8595188132442
 BPS3-02M: 8595188132435

Technical parameters	BPS3-01M	BPS3-02M
Outputs		
Maximum load capacity:	3 A	2x 1 A
Communication		
Installation bus:	1x BUS	2x BUS
Power		
Supply voltage/tolerance:	27 V DC, -20/+10 %	
Power dissipation:	max. 0.5 W	
Rated current without		
Output load:	max. 8 mA	max. 15 mA
Voltage status indication on		
Terminals:	1x green LED	2x green LED
Connection		
Terminal plate:	max. 2.5 mm ² /1.5 mm ² with core	
Operating conditions		
Working temperature:	-20 to +55 °C	
Storage temperature:	-30 to +70 °C	
Cover:	IP20 device, IP40 with cover in the control cabinet	
Surge category:	II.	
Degree of pollution:	2	
Working position:	any	
Installation:	to the control cabinet for DIN rail EN 60715	
Design:	1-MODULE	
Dimensions and weight		
Dimensions:	90 x 17.6 x 64 mm	
Weight:	70 g	85 g

- The BPS3-01M and BPS3-02M units are used for impedance separation of the BUS from the supply voltage source.
- A BPS3-01M or BPS3-02M bus isolator is required for each CU3-XXM central unit and the MI3-02M external master.
- BPS3-01M allows the connection of one BUS branch with a load of max. 3 A.
- BPS3-02M allows the connection of two BUS branches with a load of max. 1 A for each branch.
- The outputs are equipped with overcurrent and surge protection.
- Indication of the output voltage of the BUS outputs by LEDs.
- BPS3-01M, BPS3-02M in 1-MODULE design are designed for mounting in a switchboard on DIN rail EN60715.

Connection

BPS3-01M + CU3-07M



BPS3-02M + CU3-08M

